

**Masterfilter VGG series**

The Masterfilter VGG vent filter housings are manufactured for filtration of gases. They are available in 5 mini, 5, 10, 20 and 30 inches lengths. The housings are marked with a unique serial number for traceability. The VGG series is available with a range of pharmaceutical compliant vents and inlet/outlet connections. Our engineering team can design customer specific housing with optional mountings, high temperature and pressure designs.

**Applications**

- Fermentation
- LVP (Large Volume Parenterals)
- SVP (Small Volume Parenterals)
- Pharmaceutical Water Treatment
- Ophthalmics
- API (Active Pharmaceutical Ingredients)

**Features and Benefits**

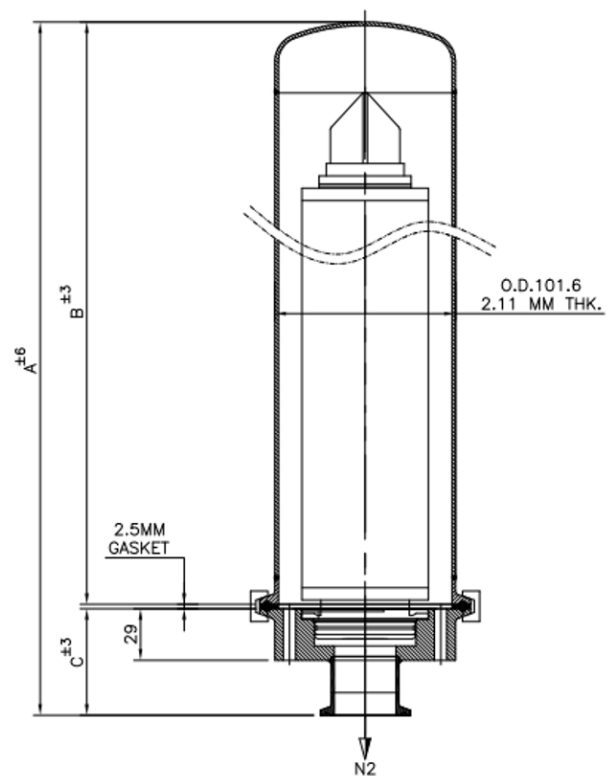
- Manufactured in accordance with European regulations
- Supplied with a wide range of connections
- Surface roughness inside  $Ra \leq 0.8 \mu m$ , mechanical polished
- Surface roughness outside  $Ra \leq 0.8 \mu m$
- Fully sanitary design

**Technical Specification**

- Number of cartridges: 1
- Material: 316L
- Material housing sealing: Silicone
- Length cartridge: 5 mini, 5, 10, 20, 30"
- Cartridge connection: Mini bayonet (STT), Code 7 (HSF)
- In-/outlet diameter: DN 25, DN 40, DN 50
- Pipe class: DIN 32676-C (ASME BPE)
- Design temperature: 150 °C

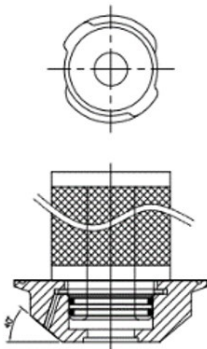
**Housing Size**

Size	A	B	C
5" mini Mini bayonet (STT)	200.5	150	48
5" Code 7 (HSF)	284.5	222	60
10" Code 7 (HSF)	394.5	332	60
20" Code 7 (HSF)	666.5	604	60
30" Code 7 (HSF)	901.5	839	60

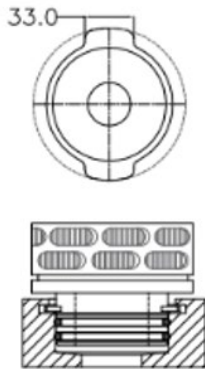


N2: Inlet/Outlet

**Cartridge Connections**



Mini bayonet (STT)



Code 7/226 (HSF)

**Part Number Guide**

VGG **4** **01** **05** **HSF** **T40** **C** **M**

Material	Cartridges	Length cartridge	Type	In/Out	Pipe class	Surface
4	01	04	STT*	T25*	C	M
		05	HSF	T40		
		10		T50		
		20				
		30				

\* Only for cartridge length 04

e.g. part number: VGG-4-01-05-HSF-T40-C-M

Pharmaceutical Vent Filter Housing, cartridge length 5", cartridge connection Code 7

**Part Number Options**

Material	Length ["]	Type	In/Out	Pipe class	Surface						
4	316L	04	5.0 mini	STT	Mini bayonet	T25	Tri-clamp DN25 (DIN 32676-C)	C	DIN 11866-C (ASME BPE)	M	me. polished ≤ 0.8 µm
		05	5	HSF	Code 7/226	T40	Tri-clamp DN40 (DIN 32676-C)				
		10	10			T50	Tri-clamp DN50 (DIN 32676-C)				
		20	20								
		30	30								

For special executions please contact Masterfilter.