

Masterfilter SBF series

The Masterfilter *SolidBloc* SBF series filter housings are manufactured for filtration of liquids. The sanitary T-style liquid cartridge filter housing can fit code 7 cartridges from 5 to 30 inches lengths. Designed with a stainless steel AISI 316L machined baseplate and self-drainable concept, ensuring minimal product losses. The housings are marked with a unique serial number for traceability. The SBF series is available with a range of pharmaceutical compliant vents and inlet/outlet connections. Our engineering team can design customer specific solutions with optional mountings, high temperature and pressure designs.

Applications

- Biological/Biotech products
- SVP (Small Volume Parenterals)
- Cell therapy
- Ophthalmics
- High potency API

Features and Benefits

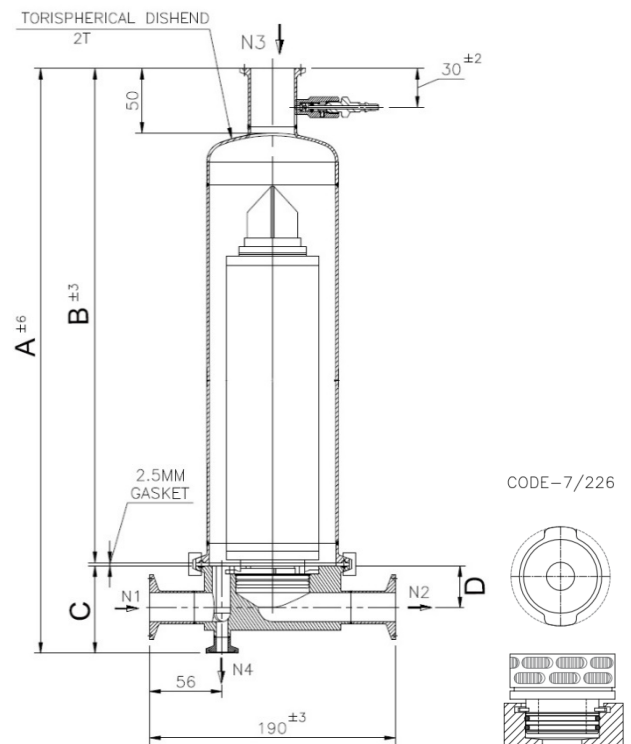
- Self-drainable design guarantees total product recovery
- Fully sanitary design
- Welding map records with full traceability available
- Pharma grade electropolished surface Ra < 0.4 µm (15 µin)
- Accordance with ASME and PED
- Full package of certificates available

Technical Specification

- Number of cartridges: 1
- Material: 316L
- Housing sealing material: Silicone (USP class 6)
- Length cartridge: 5", 10", 20" and 30"
- Cartridge connection: 226 code 7
- In/out: T25 (1"), T40 (1 1/2")
- Pipe class: DIN 11866-C (ASME BPE)
- Design pressure: 10 bar (145 psi)
- Design temperature: 150 °C (302 °F)

Housing Size

Size	A (mm)	B (mm)	C (mm)		D (mm)	
	T25/T40	T25/T40	T25	T40	T25	T40
5"	342.2 13.47"	272 10.70"	67.0 2.64"	82.7 3.26"	32 1.26"	40.0 1.57"
10"	452.2 17.8"	382 15.04"	67.0 2.64"	82.7 3.26"	32 1.26"	40.0 1.57"
20"	724.2 28.51"	654 25.74"	67.0 2.64"	82.7 3.26"	32 1.26"	40.0 1.57"
30"	959.2 37.76"	889 35.0"	67.0 2.64"	82.7 3.26"	32 1.26"	40.0 1.57"



N1: Inlet, N2: Outlet, N3: Connection top, N4: Drain

Part Number Guide

SBGF	4	01	05	HSF	T25	C	E	A	0
Material	Number cartridges	Length cartridge	Type	In/Out	Pipe class	Surface	Connection Top	Drain	
4	01	05	HSF	T25	C	E	A	0	
		10		T40			B	1	
		20					C	2	
		30							

e.g. part number: SBGF-4-01-05-HSF-T25-C-E-A-0

SolidBloc Pharmaceutical Liquid Filter Housing, cartridge length 5", code 7, In/Out Tri-clamp DN25 / 1", connection top 1 1/2" TC, drain 1/2" TC

Special executions on request.

Part Number Options

Material		Length ["]		Type		In/Out		Pipe class		Surface		Connection Top		Drain	
4	316L	05	5	HSF	Code 7/226	T25	Tri-clamp DN25 / 1"	C	DIN 11866-C (ASME BPE)	E	El. polished ≤ 0.4 µm	A	1 1/2" TC	0	TC 1/2"
		10	10			T40	Tri-clamp DN40 / 1 1/2"					B	1 1/2" TC with Stäubli valve	1	with Stäubli valve RBE03
		20	20									C	1 1/2" TC with 1/2" lateral TC	2	Butt weld
		30	30												

Main Accessories and Spare Parts

- Stäubli valve RBE03 with 1/2" TC and silicone sealing
- Seal kit for Stäubli valve RBE03, PTFE/Viton
- Housing sealing

Contact your Masterfilter or local representative for other spares and accessories. Stäubli is a trademark of Stäubli AG.