

Masterfilter PFGI series

The Masterfilter PFGI series inline filter housings are manufactured for filtration of liquids and gases. They are available in 5 mini, 5, 10, 20 and 30 inches lengths. The housings are marked with a unique serial number for traceability. The PFGI series is available with a range of pharmaceutical compliant vents and inlet/outlet connections. Our engineering team can design customer specific housing with optional mountings, high temperature and pressure designs.

Applications

- Fermentation
- LVP (Large Volume Parenterals)
- SVP (Small Volume Parenterals)
- Pharmaceutical Water Treatment
- Ophthalmics
- API (Active Pharmaceutical Ingredients)

Features and Benefits

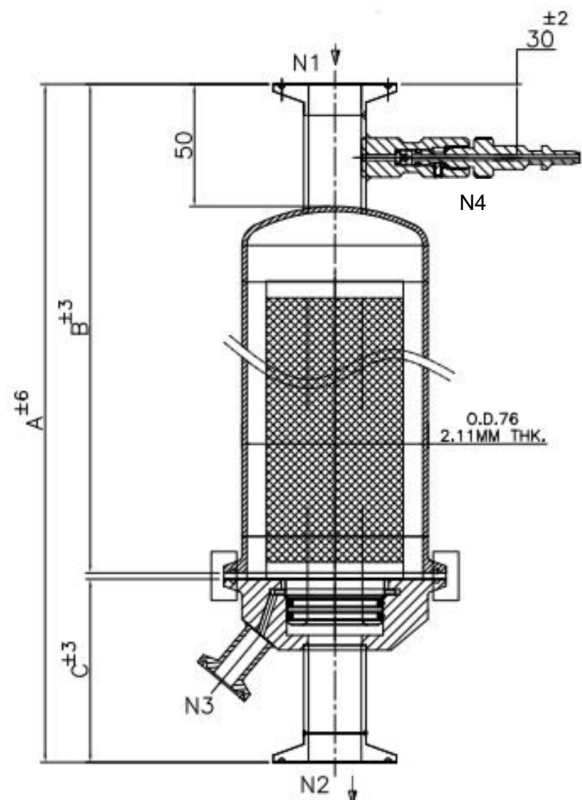
- Manufactured in accordance with European regulations
- Supplied with a wide range of connections
- Surface roughness inside $Ra \leq 0.4 \mu\text{m}$, electro polished
- Surface roughness outside $Ra \leq 0.8 \mu\text{m}$
- Fully sanitary design

Technical Specification

- Model: PFGI
- Number of cartridges: 1
- Material: 316L
- Housing sealing material: Silicone
- Length cartridge: 5" mini, 5", 10", 20" and 30"
- Cartridge connection: Mini bayonet (STT), Junior style (SLV), Code 7 HSF
- In-/outlet diameter: DN 20, DN 25, DN 40, DN 50
- Pipe class: DIN 32676-C (ASME BPE)
- Design pressure: 10 bar
- Design temperature: 150 °C

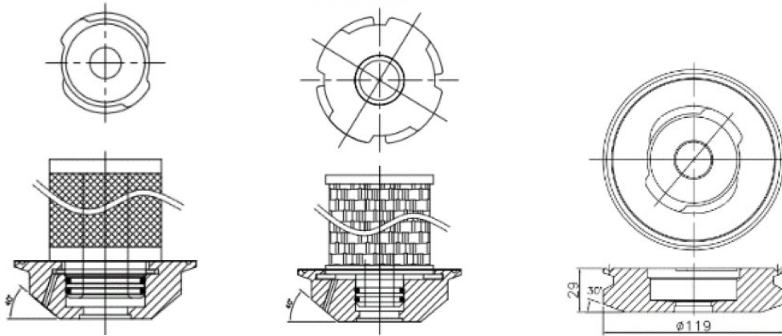
Housing Size

Size	A	B	C
5" mini Mini bayonet (STT)/ Junior style (SLV)	267.5	190	60
5" Code 7 (HSF)	297.5	235	60
10" Code 7 (HSF)	408.5	346	60
20" Code 7 (HSF)	680.5	618	60
30" Code 7 (HSF)	915.5	853	60



N1: Inlet, N2: Outlet, N3: Drain, N4: Vent

Cartridge Connections



Mini bayonet (STT)

Junior style (SLV)

Code 7 (HSF)

Part Number Guide

PFGI	4	01	05	HSF	T40	C	E	A	0								
Material	4	Cartridges	01	Length cartridge	04 05 10 20 30	Type	STT* SLV* HSF	In/Out	T20* T25* T40 T50	Pipe class	C	Surface	E	Connection Top	A B C	Drain	0 1

* Only for cartridge length 04

e.g. part number: PFGI-4-01-05-HSF-T40-C-E-A-0

Pharmaceutical Liquid Filter Housing, cartridge length 5", cartridge connection Code 7, connection top 1.5" TC, drain 0.5" TC

Part Number Options

Material		Length ["]		Type		In/Out		Pipe class		Surface		Connection Top		Drain	
4	316L	04	5.0 mini	STT	Mini bayonet	T20	Tri-clamp DN20 (DIN 32676-C)	C	DIN 11866-C (ASME BPE)	E	El. polished ≤ 0.4 µm	A	1.5" TC	0	TC 0.5"
		05	5	SVL	Junior style	T25	Tri-clamp DN25 (DIN 32676-C)					B	1.5" TC with Stäubli valve	1	with Stäubli valve RBE03
		10	10	HSF	Code 7/ 226	T40	Tri-clamp DN40 (DIN 32676-C)					C	1.5" TC with ½" lateral TC		
		20	20			T50	Tri-clamp DN50 (DIN 32676-C)								
		30	30												

For special executions please contact Masterfilter.

Main Accessories and Spare Parts

- Stäubli valve RBE03 with 0.5" TC and silicone sealing
- Seal kit for Stäubli valve RBE03, PTFE/Viton
- Housing Sealing

Contact Masterfilter or your local representative for other spares and accessories. Stäubli is a trademark of Stäubli AG