

Masterfilter PFGG series

The Masterfilter PFGG series filter housings are manufactured for filtration of gases. They are available in 5, 10, 20 and 30 inches lengths. The housings are marked with a unique serial number for traceability. The PFGG series is available with a range of pharmaceutical compliant vents and inlet/outlet connections. Our engineering team can design customer specific housing with optional mountings, high temperature and pressure designs.

Applications

- Fermentation
- LVP (Large Volume Parenterals)
- SVP (Small Volume Parenterals)
- Pharmaceutical Water Treatment
- Ophthalmics
- API (Active Pharmaceutical Ingredients)

Features and Benefits

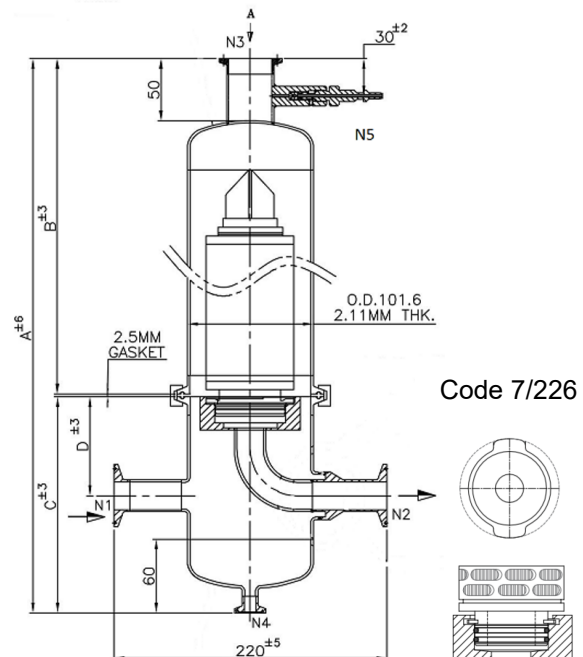
- Manufactured in accordance with European regulations
- Supplied with a wide range of connections
- Surface roughness inside $Ra \leq 0.4 \mu\text{m}$, electro polished
- Surface roughness outside $Ra \leq 0.8 \mu\text{m}$
- Fully sanitary design

Technical Specification

- Number of cartridges: 1
- Material: 316L
- Housing sealing material: Silicone
- Length cartridge: 5", 10", 20" and 30"
- Cartridge connection: Code 7 (HSF)
- In-/outlet diameter: DN 25, DN 40, DN 50
- Pipe class: DIN 32676-C (ASME BPE)
- Design pressure: 10 bar
- Design temperature: 150 °C

Housing Size

Size	A		B		C		D	
	DN 25	DN 40/50	DN25/40/50	DN 25	DN40/50	DN 25	DN40/50	
5" Code 7	449.5	471.5	272	175	197	80	90	
10" Code 7	559.5	581.5	382	175	197	80	90	
20" Code 7	831.5	853.5	654	175	197	80	90	
30" code 7	-	1086	889	175	197	80	90	



N1: Inlet, N2: Outlet, N3: Connection top, N4: Drain, N5: Vent

Part Number Guide

PFGG	4	01	05	HSF	T25	C	E	A	0
Material	Cartridges	Length cartridge	Type	In/Out	Pipe class	Surface	Connection Top	Drain	
4	01	05	HSF	T25*	C	E	A	0	
		10		T40			B	1	
		20		T50			C	2	
		30							

* not available for 30 inch length

e.g. part number: PFGG-4-01-05-HSF-T25-C-E-A-0

Pharmaceutical Liquid Filter Housing, cartridge length 5", cartridge connection code 7, connection top 1,5"TC, drain 0,5" TC

Part Number Options

Material		Length ["]		Type		In/Out		Pipe class		Surface		Connection Top		Drain	
4	316L	05	5	HSF	Code 7/226	T25	Tri-clamp DN25 (DIN 32676-C)	C	DIN 11866-C (ASME BPE)	E	El. polished ≤ 0.4 µm	A	1.5" TC	0	TC 0.5"
		10	10			T40	Tri-clamp DN40 (DIN 32676-C)					B	1.5" TC with Stäubli valve	1	with Stäubli valve RBE03
		20	20			T50	Tri-clamp DN50 (DIN 32676-C)					C	1.5" TC with ½" lateral TC	2	Butt weld
		30	30												

For special executions please contact Masterfilter.

Main Accessories and Spare Parts

- Stäubli valve RBE03 with 0.5" TC and silicone sealing
- Seal kit for Stäubli valve RBE03, PTFE/Viton
- Housing Sealing

Contact Masterfilter or your local representative for other spares and accessories. Stäubli is a trademark of Stäubli AG.