

Masterfilter PFGG Mini series

The Masterfilter PFGG Mini series filter housings are manufactured for filtration of liquids and gases. They are available in 2.5 and 5 inches lengths. The housings are marked with a unique serial number for traceability. The PFGG Mini series is available with a range of pharmaceutical compliant vents and inlet/outlet connections. Our engineering team can design customer specific housing with optional mountings, high temperature and pressure designs.

Applications

- Fermentation
- LVP (Large Volume Parenterals)
- SVP (Small Volume Parenterals)
- Pharmaceutical Water Treatment
- Ophthalmics
- API (Active Pharmaceutical Ingredients)

Features and Benefits

- Manufactured in accordance with European regulations
- Supplied with a wide range of connections
- Surface roughness inside $Ra \leq 0.4 \mu m$, electro polished
- Surface roughness outside $Ra \leq 0.8 \mu m$
- Fully sanitary design

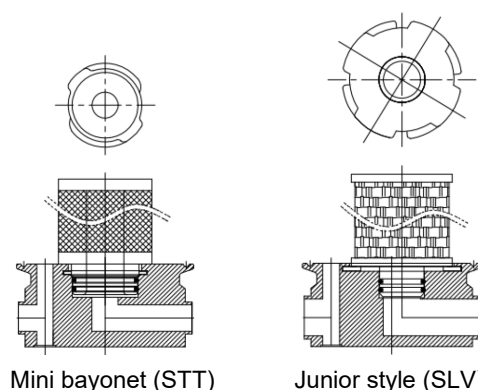
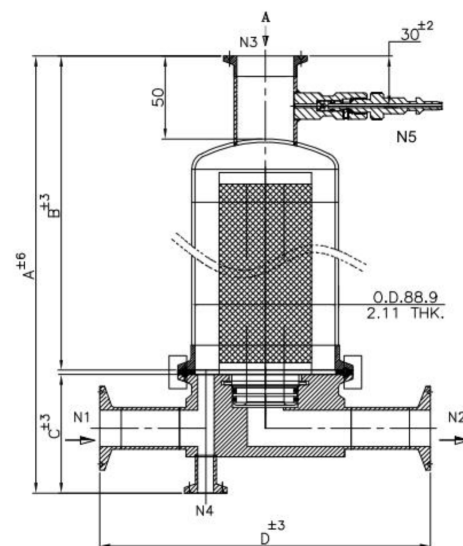
Technical Specification

- Number of cartridges: 1
- Material: 316L
- Housing sealing material: Silicone
- Length cartridge: 2.5" and 5"
- Cartridge connection: Mini bayonet (STT), Junior style (SLV)
- In-/outlet diameter: DN 20, DN 25
- Pipe class: DIN 32676-C (ASME BPE)
- Design pressure: 10 bar
- Design temperature: 150 °C

Housing Size

Size	A	B	C	D
2.5" STT (Mini bayonet) / SLV (Junior style)	204.5	130	72	200
5" STT (Mini bayonet) / SLV (Junior style)	264.5	190	72	200

N1: Inlet, N2: Outlet, N3: Connection top, N4: Drain, N5: Vent



Part Number Guide

PFGG	4	01	03	STT	T20	C	E	A	0
Material	Cartridges	Length cartridge	Type	In/Out	Pipe class	Surface	Connection Top	Drain	
4	01	03	STT	T20	C	E	A	0	
		04	SLV	T25			B	1	
							C	2	
							D		

e.g. part number: PFGG-4-01-03-STT-T20-C-E-A-0

Pharmaceutical Liquid and Gas Filter Housing, cartridge length 2.5", cartridge connection Mini bayonet, connection top 1,5" TC, drain 0,5" TC

Part Number Options

Material		Length ["]		Type		In/Out		Pipe class		Surface		Connection Top		Drain	
4	316L	03	2.5 mini	STT	Mini bayonet	T20	Tri-clamp DN20 (DIN 32676-C)	C	DIN 11866-C (ASME BPE)	E	El. polished ≤ 0.4 µm	A	1.5" TC	0	TC 0.5"
		04	5.0 mini	SVL	Junior style	T25	Tri-clamp DN25 (DIN 32676-C)					B	1.5" TC with Stäubli valve	1	with Stäubli valve RBE03
												C	1.5" TC with 1/2" lateral TC	2	Butt weld
												D	Stäubli valve		

For special executions please contact Masterfilter.

Main Accessories and Spare Parts

- Stäubli valve RBE03 with 0.5" TC and silicone sealing
- Seal kit for Stäubli valve RBE03, PTFE/Viton
- Housing Sealing

Contact Masterfilter or your local representative for other spares and accessories. Stäubli is a trademark of Stäubli AG.