

**Masterfilter PFGF series**

The Masterfilter PFGF series filter housings are manufactured for filtration of liquids. They are available in 5, 10, 20 and 30 inches lengths. The housings are marked with a unique serial number for traceability. The PFGF series is available with a range of pharmaceutical compliant vents and inlet/outlet connections. Our engineering team can design customer specific housing with optional mountings, high temperature and pressure designs.

**Applications**

- Fermentation
- LVP (Large Volume Parenterals)
- SVP (Small Volume Parenterals)
- Pharmaceutical Water Treatment
- Ophthalmics
- API (Active Pharmaceutical Ingredients)

**Features and Benefits**

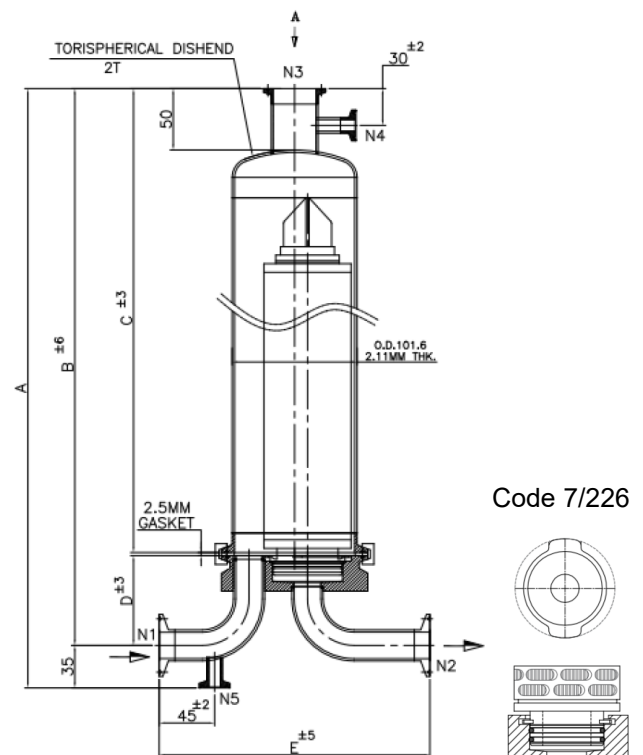
- Manufactured in accordance with European regulations
- Supplied with a wide range of connections
- Surface roughness inside  $Ra \leq 0.4 \mu m$ , electro polished
- Surface roughness outside  $Ra \leq 0.8 \mu m$
- Fully sanitary design

**Technical Specification**

- Number of cartridges: 1
- Material: 316L
- Housing sealing material: Silicone
- Length cartridge: 5", 10", 20" and 30"
- Cartridge connection: Code 7 (HSF)
- In-/outlet diameter: DN 25, DN 40, DN 50
- Pipe class: DIN 32676-C (ASME BPE)
- Design pressure: 10 bar
- Design temperature: 150 °C

**Housing Size**

Size	A		B	C		D
	DN25	DN40	DN25/40	DN25	DN40	DN25/40
5" Code 7	347.5	357.5	272	73	83	220
10" Code 7	457.5	467.5	382	73	83	220
20" Code 7	729.5	739.5	654	73	83	220
30" Code 7	964.5	974.5	889	73	83	220



N1: Inlet, N2: Outlet, N3: Connection top, N4: Vent, N5: Drain

### Part Number Guide

PFGF	4	01	05	HSF	T25	C	E	A	0
<b>Material</b>	<b>Cartridges</b>	<b>Length cartridge</b>	<b>Type</b>	<b>In/Out</b>	<b>Pipe class</b>	<b>Surface</b>	<b>Connection Top</b>	<b>Drain</b>	
4	01	05	HSF	T25	C	E	A	0	
		10		T40			B	1	
		20		T50			C	2	
		30							

e.g. part number: PFGF-4-01-05-HSF-T25-C-E-A-0

Pharmaceutical Liquid Filter Housing, cartridge length 5", cartridge connection code 7, connection top 1,5" TC, drain 0,5" TC

### Part Number Options

Material		Length ["]		Type		In/Out		Pipe class	Surface	Connection Top		Drain			
4	316L	05	5	HSF	Code 7/226	T25	Tri-clamp DN25 (DIN 32676-C)	C	DIN 11866-C (ASME BPE)	E	El. polished ≤ 0.4 µm	A	1.5" TC	0	TC 0.5"
		10	10			T40	Tri-clamp DN40 (DIN 32676-C)					B	1.5" TC with Stäubli valve	1	with Stäubli valve RBE03
		20	20			T50	Tri-clamp DN50 (DIN 32676-C)					C	1.5" TC with ½" lateral TC	2	Butt weld
		30	30												

For special executions please contact Masterfilter.

### Main Accessories and Spare Parts

- Stäubli valve RBE03 with 0.5" TC and silicone sealing
- Seal kit for Stäubli valve RBE03, PTFE/Viton
- Housing Sealing

Contact Masterfilter or your local representative for other spares and accessories. Stäubli is a trademark of Stäubli AG.