

### Masterfilter MC series

The Masterfilter *MasterCap* MC APK capsule filters are used for removal of micro-organisms and fine particles from liquids. Due to the polypropylene high-performance filtration media the MC APK is the ideal filter to satisfy the highest standards in a broad range of applications. It is especially designed for self-contained assemblies for Pharmaceuticals, Biologicals, Chemicals and Food and Beverage applications. No adhesives or glue are used in manufacturing and all bonding is by thermal welding. *MasterCap* MC filters are available in T-style and in Inline configuration.

### Applications

- Bio-Pharmaceutical: Serum filtration, Tissue culture media, Viscous biological liquids, Blood derivatives, Ophthalmic, Oncological products, Microbiological growth media
- Metal and oxide, CMP slurries, Chemical rinse solutions, Acids, Bases and Solvents

### Features and Benefits

- Single-use filtration systems save cleaning time and validation cost
- Available in 5", 10", 20" and 30" lengths to optimise flow rates and throughput
- Capsules are available in pre-sterilised packages
- No housing maintenance required
- High throughput
- T-style and Inline versions available

### Materials of Construction

- Outer shell: Polypropylene
- Filter media: Absolute rated high efficiency Polypropylene
- Sealing: Thermal bonding

### Operating Parameters

- Max. differential pressure: 5.0 bar at 20 °C (forward)
- Max. operation temperature: 40 °C
- Autoclave: Recommended 50 cycles for 30 minutes at 130 °C
- Effective filtration area: 0.52 m<sup>2</sup> (10 inch)



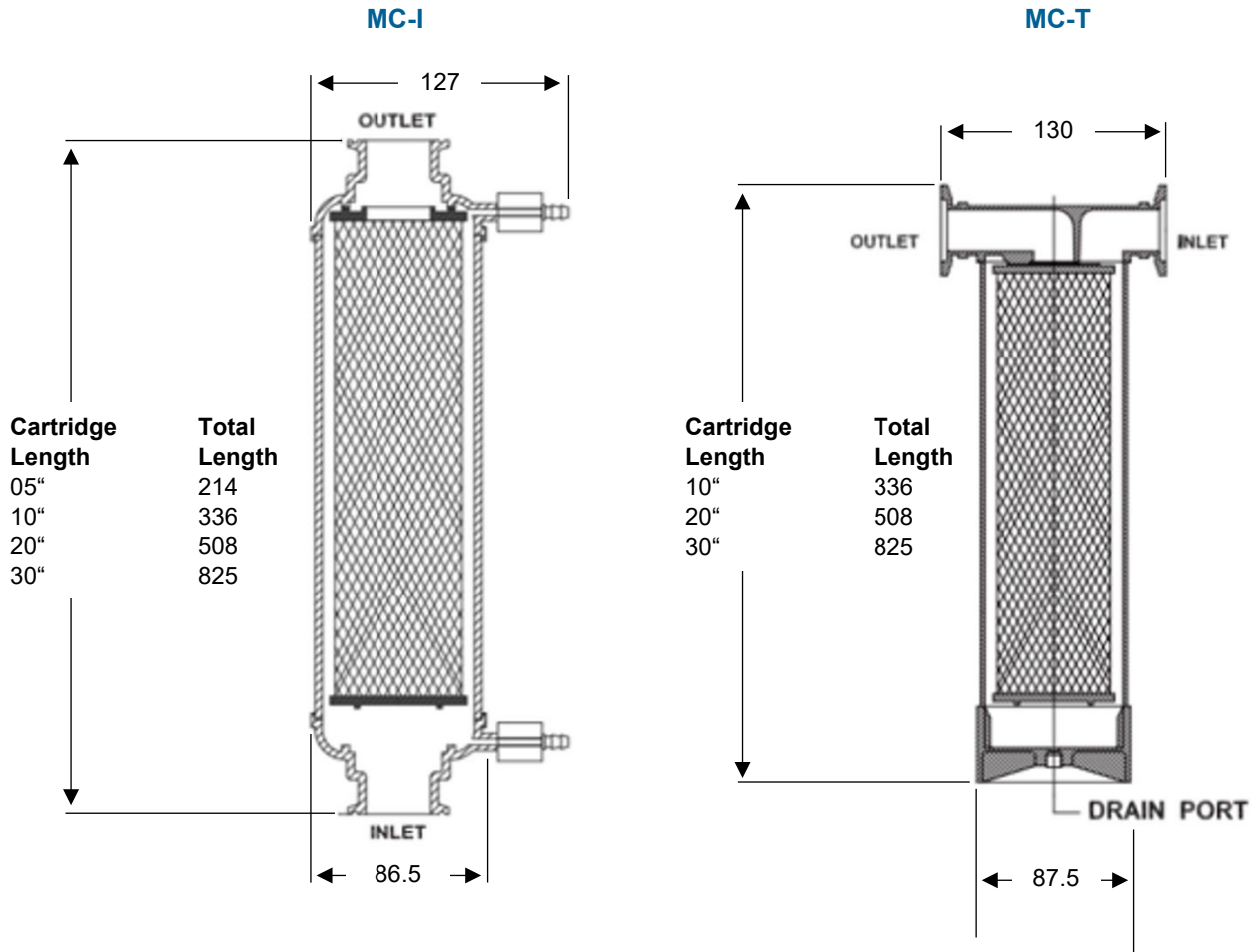
### Quality Standards

- Quality Assurance: These products are manufactured in a facility which adheres to ISO 9001:2015 Practices

### Biological Standards

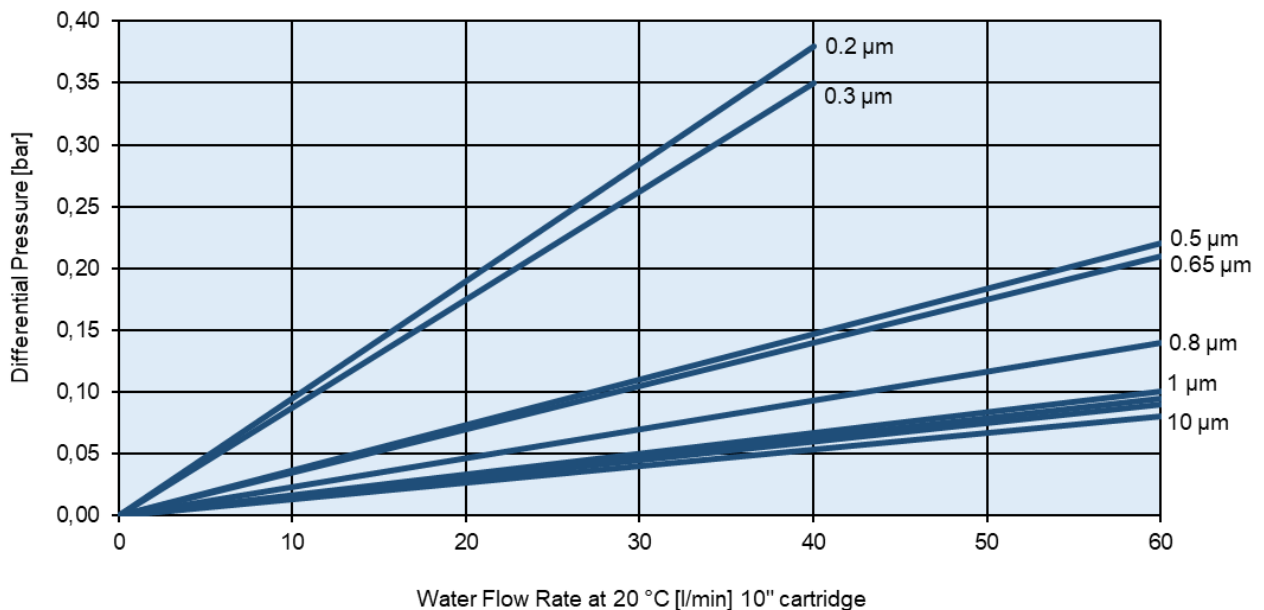
- Bacterial Endotoxin: Aqueous extraction of autoclaved filter contains < 0.25 EU/ml as determined by Limulus Amebocyte Lysate (LAL), USP <85>
- Non-Fiber Releasing: Component materials meet the criteria for a "Non-fiber-releasing filter" as defined in 21 CFR 210.3 (b) (6)
- Component Material Toxicity: Meet the requirements of USP <87> In Vitro Cytotoxicity Test and criteria of USP <88> Biological Reactivity Test for Class VI-121 °C plastics
- TOC/Conductivity at 25 °C: Autoclaved filter effluent meets the USP <643> for Total Organic Carbon and USP <645> for Water Conductivity per WFI requirements after a UPW flush of specified volume
- Particle Shedding: Autoclaved filter effluent meet the USP <788> for large volume injection
- Indirect Food: Additive all component materials meet the FDA Indirect Food Additive requirements cited in 21 CFR 177-182 and EN framework regulation 1935/2004/EC

**Dimensions**



**Flow Rate Characteristics**

Flow Rate Characteristics MC APK



# MasterCap MC APK Capsule Filter

Polypropylene Membrane - Single Use Assembly



## Part Numbers (MC-I = Inline, MC-T = T-Style)

MC-I  
MC-T

APK

-

0050

-

10

-

C

Code	Membrane media
APK	Absolute rated high efficiency Polypropylene

Code	Removal rating [µm]
0020	0.2
0030	0.3
0050	0.5
0065	0.65
0080	0.8
0100	1
0300	3
0500	5
1000	10

Code	Cartridge Length	
	[inch]	[mm]
05*	5	128
10	10	254
20	20	508
30	30	762

Code	Inlet / Outlet Connection
C	MC-I: 1-1/2" Tri-clamp
	MC-T: 1" Tri-clamp

\* available only for MC-I

e.g. part number: MC-I-APK0050-10-C

MasterCap MC-I APK, 0.5 µm, 10" Length, 1-1/2" Tri-clamp

Vent / drain MC-I: 6 mm Hose Barb connection and valve

Vent / drain MC-T: 6 mm Hose barb connection